

## FADER CLEANING

The SK TWO faders may need lubrication from time to time. This will extend the fader life and eliminate any potential damage due to extended heavy usage.

### Cleaning Instructions

1. Remove the 3 fader knobs and 4 screws located in the corners of the PROTEKT™ (see "SPECIAL PROTEKTION" inside) panel and take the panel off the mixer.
2. Remove the fader to be cleaned by unscrewing the 2 outer screws (removing the 2 inner screws will detach the fader from the fader plate) and disconnect the cable coming from the mixer.
3. Spray a small amount of cleaner or lubricant into both ends of the fader and slide the fader back and forth a few times to spread the fluid evenly throughout the fader.
4. Shake and wipe off excess fluid before re-assembling the fader.

## REPLACEMENT PARTS

To replace the cross or channel faders, follow steps 1 and 2 of the cleaning instructions. The following replacement parts are available from Stanton or your local Stanton dealer.

PL-SK2	Two way input toggle switch	PP-SK2	PROTEKT™ panel
3PL-SK2	Three way input toggle switch with FLASH™	PS-18US	US Power Supply (110v)
LF-SK2	Channel input fader	PS-18EU	European Power Supply (220v)
CF-SK2	Crossfader	PS-18UK	UK only Power Supply (240v)

## ROTATING AND REPLACING THE INPUT TOGGLE SWITCHES

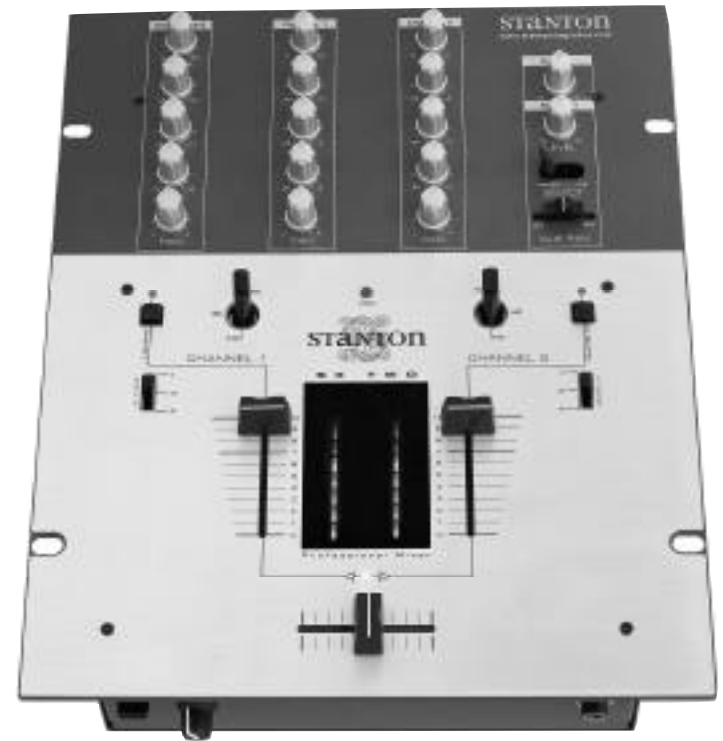
### ROTATING INSTRUCTIONS

1. Remove the PROTEKT™ panel (Cleaning instructions step 1)
2. Remove the 2 outer screws from the round plate (removing the 2 inner screws will detach the switch from the plate)
3. Rotate the plate to the desired position and tighten the screws back in the top and bottom holes

### REPLACING INSTRUCTIONS

1. Remove the PROTEKT™ panel (Cleaning instructions step 1)
2. Remove the 2 outer screws from the round plate (removing the 2 inner screws will detach the switch from the plate)
3. Remove the switch assembly and disconnect the cable coming from the mixer.
4. Set the replacement switch assembly in the desired position and place the screws back in the top and bottom holes.

**STANTON**  
**SK TWO** Professional performance mixer



OWNER'S MANUAL

Register  
this product online @  
stantonmagnetics.com

**STANTON MAGNETICS, LLC**  
2821 Evans St. Hollywood, FL 33020  
(954) 929-8999 - Fax: (954) 929-0333  
info@stantonmagnetics.com

## TROUBLESHOOTING

Thank you for making Stanton your first choice in professional DJ mixers.

This new, innovative family of mixers has been developed with input from the professional DJ community, bringing to the marketplace a previously unavailable, affordable combination of user-friendly, functional design, rugged construction, and professional quality features.

Stanton and your authorized Stanton dealer are dedicated to your complete satisfaction by offering benchmark service and support throughout the long life of your Stanton product.

Again, we appreciate your patronage, and look forward to many years of making music together.

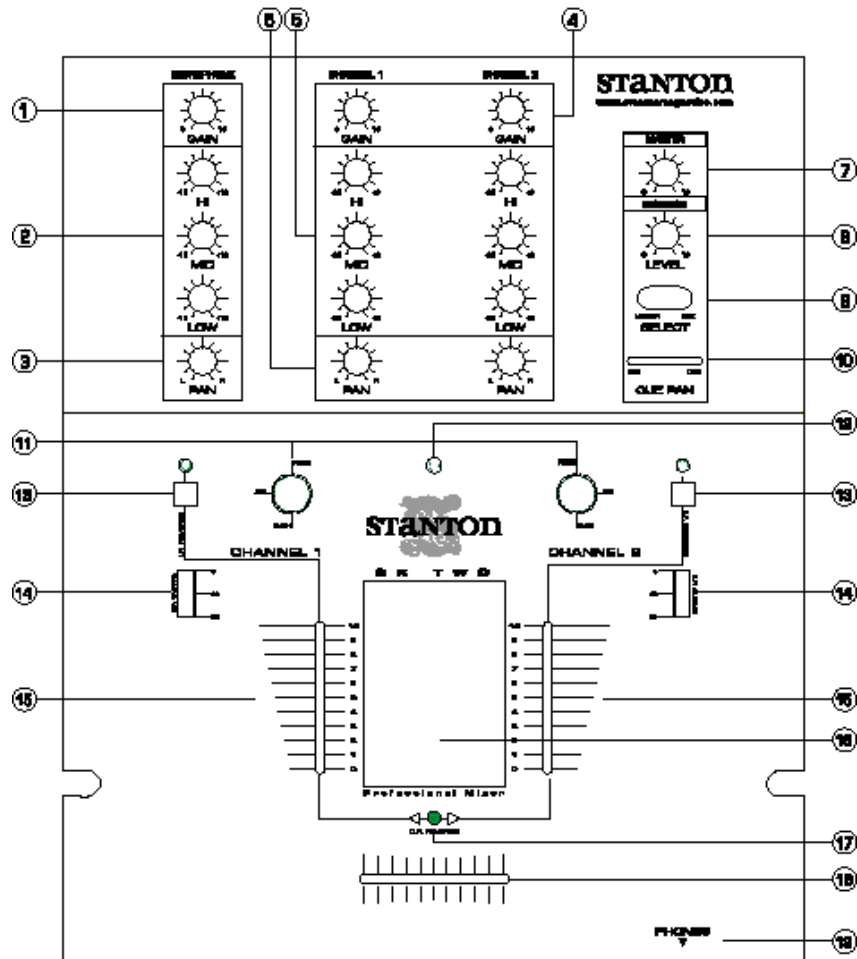
### PLEASE READ CAREFULLY BEFORE USE OF THIS PRODUCT

#### FAILURE TO FOLLOW THE INSTRUCTIONS PRINTED BELOW MAY VOID WARRANTY

- Follow all security advice printed on your mixer
- When removing the unit's AC plug from the power source, grasp and pull the plug, NEVER the cord itself!
- Avoid placing your mixer near heat sources, such as power amplifiers.
- When in use, place your mixer on a stable surface, away from vibration. Always use care when carrying your mixer. Impact, or heavy vibration may compromise the unit's mechanical integrity. The manufacturer is not responsible for damage resulting from an impact, or misuse.
- When in use, place your mixer away from sources of hum or noise, such as transformers, or electric motors.
- To prevent overheating, always provide your mixer with adequate ventilation air space.
- Avoid stepping on your mixer's AC cord. Repeated compression of the cord may lead to electrical shorting.
- To avoid damage due to AC voltage peaks, always disconnect your mixer from the power source during electrical storms.
- Your mixer contains no user-serviceable parts. The manufacturer is not responsible for any damage or personal injury resulting from unauthorized user-servicing or modifications. In addition, the warranty will be void if any unauthorized service by the user is detected. Always return your mixer to an authorized Stanton dealer for servicing.

Problem	Cause	Solution
Excessive hum when using phono source.	Poor ground connection.	Properly connect turntable ground wire to mixer ground terminal.
	Loose cartridge/headshell connection.	Check cartridge connection to headshell. Check headshell connection to tonearm.
Low frequency hum while operating source unit.	Poor AC source ground. Loose input/output connection. Shorted cable.	Properly ground the AC source. Check all input and output connections for secure fit. Isolate and replace the damaged cable.
Program volume can't be adjusted with master volume control.	Amplifier or outboard gear connected to the record output.	Connect amplifier or outboard gear to master output.
No power.	Improperly connected AC cord or power line source not on.	Properly connect AC cord to AC power source. Turn power on.
The amplifier is turned up, but there is no signal.	Faulty output connections	Properly connect amplifier, or outboard gear to mixer.
	Improper level adjustment.	Properly set crossfader, channel faders, gain controls, and input selector toggles.
No signal in headphones.	Improper connection.	Check headphone connection to mixer. Tighten if necessary.
	Improper level or cue mix settings.	Adjust headphone level and cue mix to the proper level and channel settings.

## DESCRIPTION OF FUNCTIONS

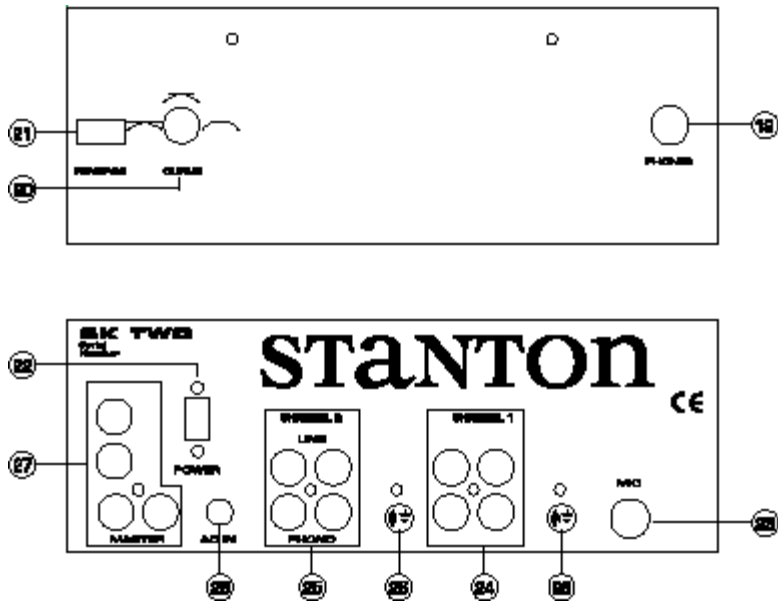


1. Mic gain control: Controls the overall microphone output level.
2. Mic EQ: Individual controls for low frequency, midrange, and high frequency equalization with (+/-12 dB) Note: Any changes made to EQ settings will change the overall microphone output level.
3. Mic pan control: Controls left/right output balance of the microphone.
4. Gain control: Controls the input sensitivity of each channel.
5. EQ: Individual controls for low frequency, midrange, and high frequency equalization with (+9/-26 dB) Note: Any changes made to EQ settings will change the overall output level.
6. Pan control: Controls left/right output balance of each channel.
7. Master level control: Controls the overall signal output level.
8. Headphone level control: Controls the overall headphone output level. It is recommended headphones with an impedance rating of 200 ohms or less be used for maximum volume.
9. Cue select: In "CUE" position, the pre-selected signal of control (10) will be monitored as a stereo signal in the headphones. In "MASTER" position, the pre-selected signal of controls (7) and (18) will be monitored as a stereo signal in the headphones.
10. Cue pan: Fades the headphone output between channels 1 and 2, effectively allowing the user to preview a mix.
11. Input selector switches: Selects phono or line inputs. FLASH™ position allows users to quickly trigger the phono input.
12. Power indicator: Blue LED indicates whether mixer is ON or OFF.
13. Input Fader Reverse: Reverses the direction of each respective input channel fader. Includes bi-color LED to indicate the status of the reverse function. When LED is green, the fader is normal. When LED is red, the fader direction is reversed.
14. Input Fader Curve Adjustment: Adjusts the curve of the input faders between quick (6dB), normal (20dB), or long (30dB) fade.
15. Channel fader: Controls the input channel level.
16. Input Level Meter: Monitors each channel's input level with peak hold function
17. Crossfader Reverse LED: Bi-color LED indicates the status of the crossfader reverse function. When LED is green, the crossfader is normal. When LED is red, the crossfader direction is reversed.
18. Crossfader: Fades the master output between channels 1 and 2.
19. Headphone output: Connection for 1/4 inch headphone. Recommended headphone impedance is 32-200 ohms for maximum volume.
20. Crossfader Curve adjustment: Adjusts the shape of the crossfader curve from a quick

## SPECIAL PROTEKTION

Your SK TWO comes with a special PROTEKT™ aluminum panel designed to make the surface of the mixer as smooth as possible while still enabling you to field-replace key components. The PROTEKT™ panel covers all screws that may get in the way of your performance. You can still easily remove the front panel to replace any of the modular parts which are subject to wear and tear: crossfader, input faders and input toggle switches. The PROTEKT™ panel is also reversible. If you happen to scratch or blemish the front side, just flip-it over since it is screened on both sides!

## FUNCTIONS (cont'd)



cut for scratching and cutting to a longer fade for mixing.

21. Crossfader Reverse: Reverses the direction of the crossfader.
22. Power switch: Selects power "ON" or "OFF".
23. Microphone input: 1/4" connector
24. Channel 1 inputs: Line and phono signal inputs
25. Channel 2 inputs: Line and phono signal inputs
26. Ground connector: Connects to the turntable ground connector to eliminate electrical hum. Ground connectors usually supplied with turntables
27. Master output: TRS balanced (1/4") and unbalanced RCA.
28. Power supply connector: Input connection for the accompanying power supply.

Audio signal inputs/outputs: Line inputs are used to connect to line level sources such as CD players, samplers, tape players, etc. Phono inputs are used to connect to turntables. Master output connects to an amplifier, EQ, crossover, or other outboard signal processing. Record out connects to tape recorder, mini disk recorder, etc.

## TECHNICAL SPECIFICATIONS

<b>Line inputs:</b>	2 (RCA), 150 mV / 27K ohm
<b>Phono inputs:</b>	2 (RCA), 3 mV / 47K ohm
<b>DJ mic input:</b>	1 (1/4 inch), 2.45 mV / 3K ohm
<b>Master output:</b>	1 (1/4" TRS Balanced/RCA unbalanced), 775 mV / 1K ohm
<b>Record output:</b>	1 (RCA), 245 mV / 10K ohm
<b>Headphone output:</b>	1 (1/4 inch), 32 - 200 ohms recommended
<b>Frequency Response:</b>	20 Hz - 20 kHz, +/- 2 dB
<b>Tone Control :</b>	+ 9/-26 dB (Hi, Mid, Low)
<b>Mic Tone:</b>	Hi/Mid/Lo +/-12 dB
<b>Gain Control:</b>	0-20dB
<b>S/N Ratio:</b>	Less than 70dB
<b>T.H.D:</b>	less than 0.2%
<b>Dimension(LxWxD):</b>	12 3/8" x 10 1/4" x 4" ( 314 x 260 x 102 mm)
<b>Weight:</b>	7 lbs (3.2 Kg)

## WARRANTY

This unit has been designed and manufactured using quality components. Therefore, it is warranted to be free from defects in materials (limited as specified below), and workmanship for a period of twelve (12) months from the original purchase date. During this period, all service and parts necessary to repair a defect will be free of charge. This limited warranty applies to mechanical parts which are subject to wear and tear as specified:

- Faders, specified durability: 15,000 cycles
- Rotary potentiometers, specified durability: 10,000 cycles
- Switches, specified durability: 10,000 cycles

Consequently, the parts listed above are warranted to be free from defects in materials and workmanship for a period of thirty days (30) days from the original purchase date.

**FOR THE WARRANTY TO BE VALID, PLEASE COMPLETE THE  
ONLINE WARRANTY REGISTRATION FORM FOUND AT  
[WWW.STANTONMAGNETICS.COM](http://WWW.STANTONMAGNETICS.COM)**

Stanton Magnetics, LLC, 2821 Evans Street • Hollywood, FL 33020